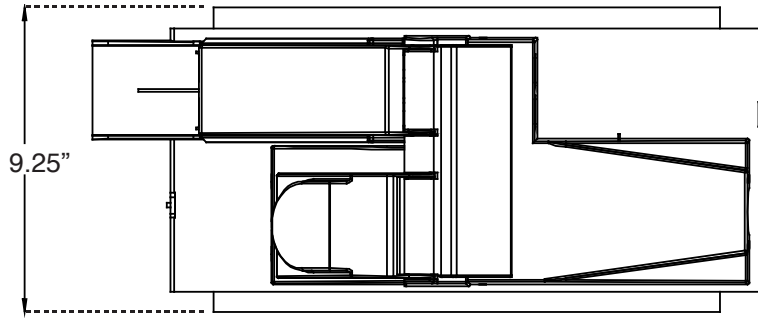
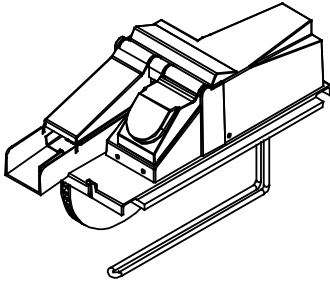
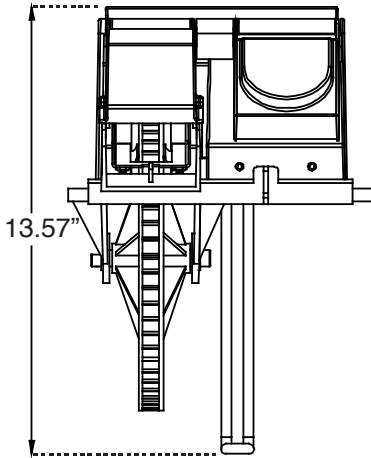


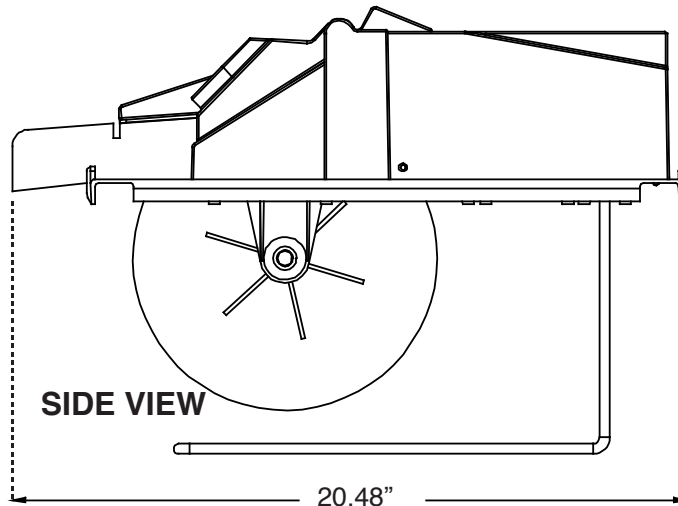
Complete Lid Assembly 40000 Series



TOP VIEW



END VIEW



SIDE VIEW

FEATURES:

- Fully automatic self cleaning cycle. Removes collected grease & oils from tank without any operator assistance. Comes complete with Digital Time Control and Push-Button Interface.
- Constructed of corrosion resistant materials suitable for installation in virtually any location.
- Integrated Motor/Grease Outlet/Heater/Lid enables a fast, do-it-yourself unit operation reversal.

TECHNICAL DATA

Electrical: _____ 115 VAC, 50/60 Hz, 520 Watts (4.5 Amps)*

Number of Skimming Wheels: _____ 1

Skimming Rate: _____ 20 Pounds (9.08 Kg) Per Hour

**220-240V Electrical Configurations Available*



©2014 Thermaco, Inc. All rights reserved • Patented/Patents Pending • Specifications subject to change without notice