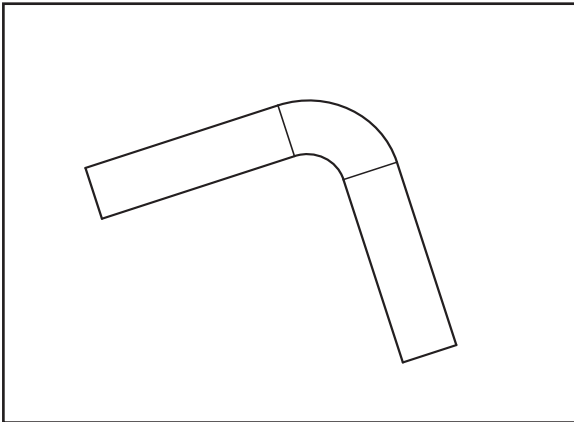


SH-3-KIT Sump Hose Kit



The Big Dipper[®] SH-3-KIT Sump Hose Kit includes a hose and a clamp to properly secure to the grease sump outlet of Big Dipper. This enables the customer to adapt the Big Dipper system to use a container other than the Grease Collector provided with the unit.

For example, use the SH-3-KIT Sump Hose Kit with a Big Dipper Unit mounted on a support frame to empty grease into a 55-gallon drum.

SH-3-KIT Sump Hose Kit

Features:

- Clamp included to secure hose to Big Dipper unit
- Easy installation
- One size fits all 51000 series Big Dipper models

