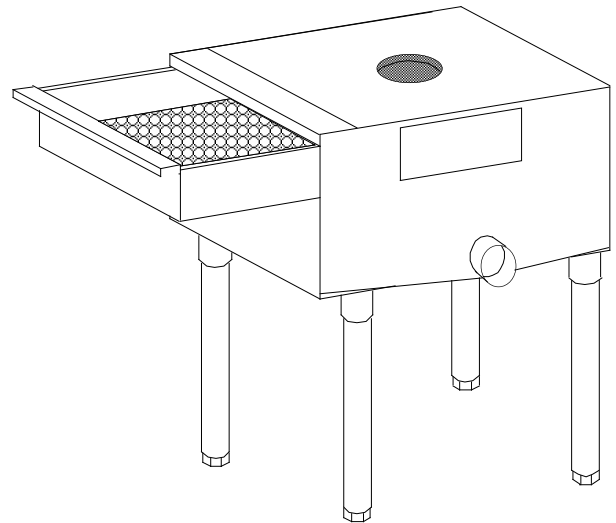


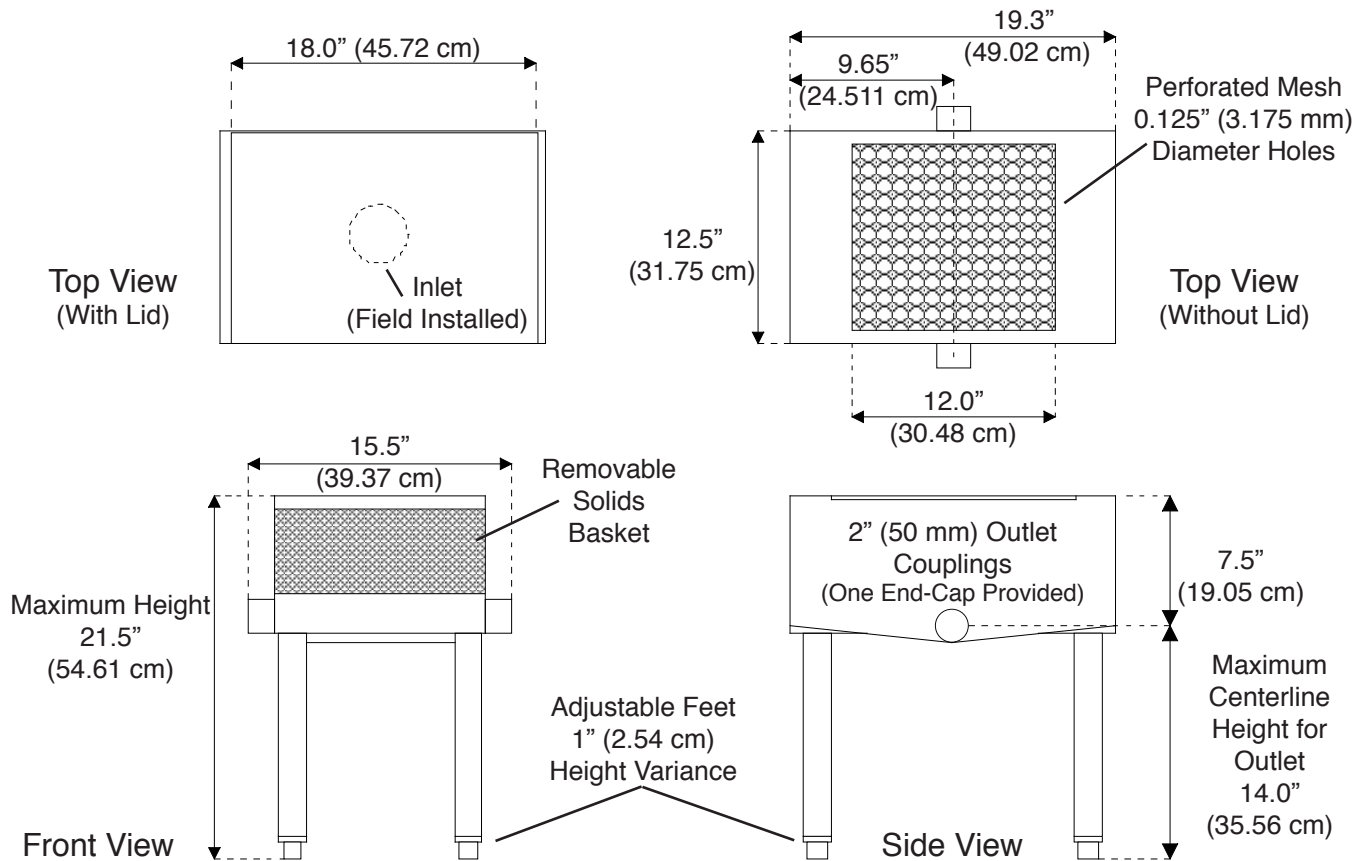
## FS-1 Flat Strainer For Point Source Use

The **Big Dipper® FS-1 Flat Strainer** is designed to eliminate the garbage disposal and reduce clogged drains due to coarse solids buildup. The Flat Strainer separates & collects coarse solids such as rice, cole slaw and other food scraps larger than 0.125" (3.175 mm) in diameter. The removable tray allows the customer to empty the collected coarse solids directly into a trash receptacle. The FS-1 is constructed of durable stainless steel and offers a simple solution for solids waste disposal.



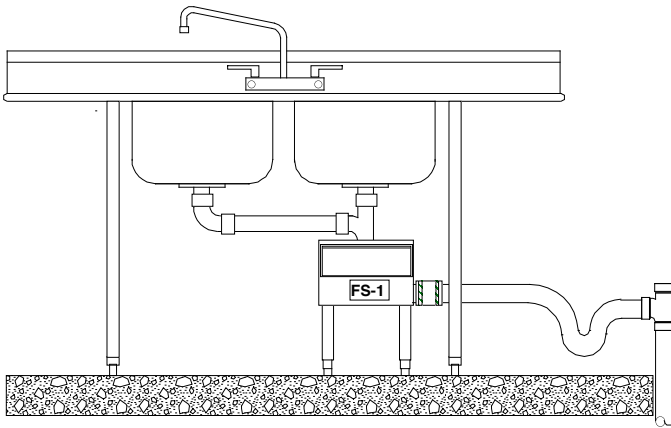
### FS-1 Flat Strainer Features

- **Stainless Steel Construction**
- **Field-Modifiable Polycarbonate Lid Cover**
- **Adjustable Height - Feet allow 1" (2.54 cm) adjustability, legs can be sawed to lower unit further.**
- **Removable Tray**

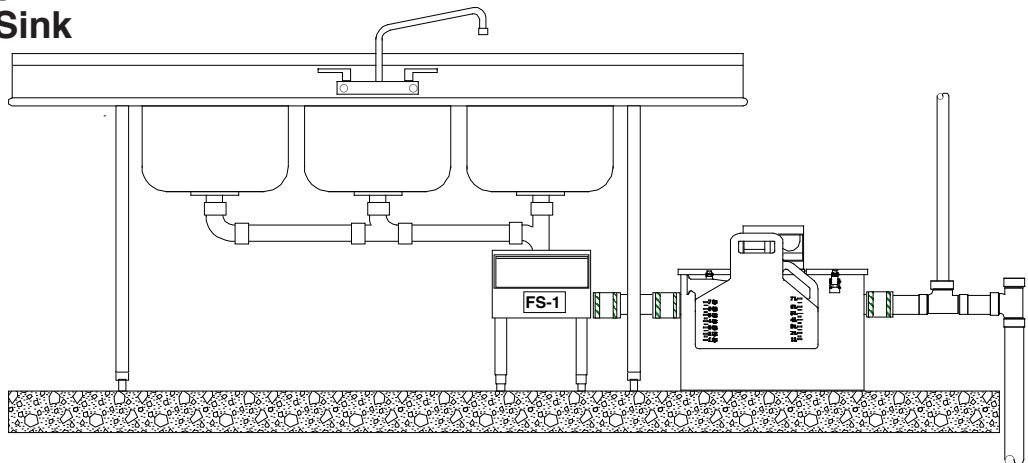


## FS-1 Flat Strainer

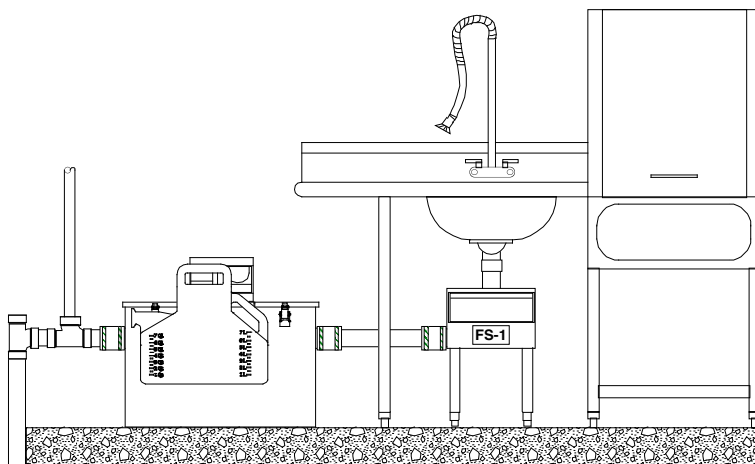
### FS-1 Servicing a Food Preparation Sink (Non-Grease Bearing Flows)



### FS-1 Servicing a Ware Washing Sink



### FS-1 Servicing a Pre-Rinse Station



**NOTE: Drawing for reference only. Equipment must be installed in compliance with all applicable laws, regulations and codes, including plumbing codes. Installation should be performed by a qualified plumber.**