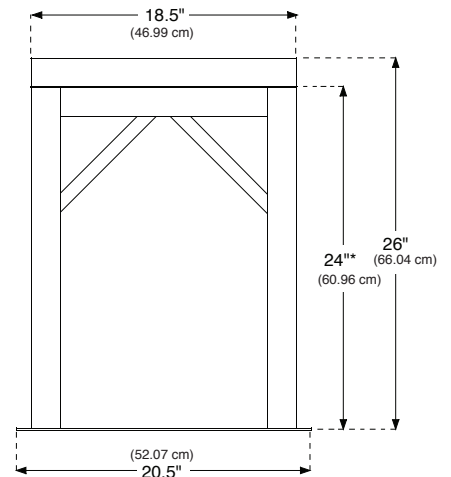
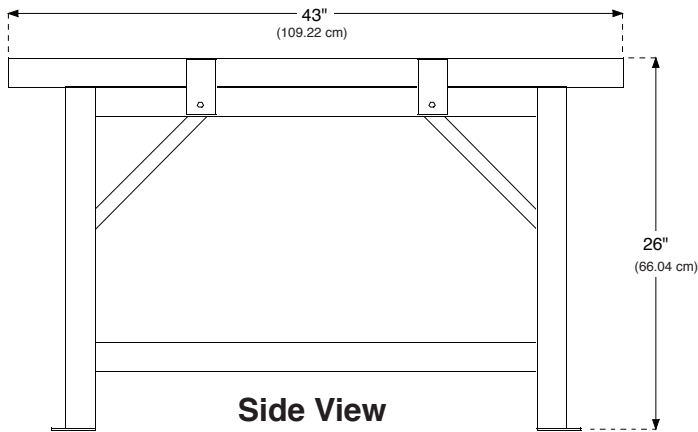


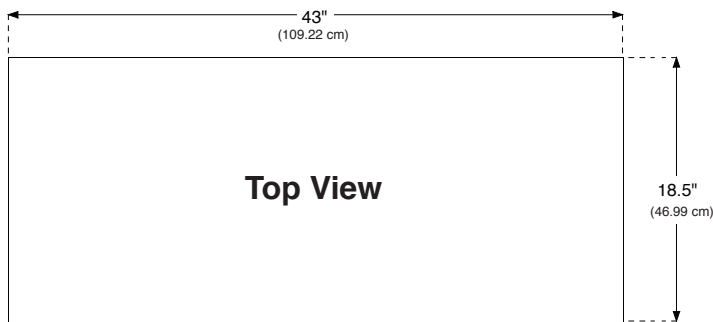
SFK-3 Big Dipper Unit Support Frame Kit

For those applications in a basement or another location requiring Big Dipper units to be raised off the floor, the optional SFK-3 Support Frame Kit is available. The sturdy, compact design lends itself easily to tight installations. The height of the frames allows use of the DRUM-55 Grease Collector when coupled with the SH-3-KIT Sump Adapter Kit. Shipped ready to assemble.



End View

* Effective Height - unit will rest on this level



SFK-3

- For Models W-750-IS & W-750-AST
- Stainless Steel Construction
- Use with 55 Gallon Grease Barrel (DRUM-55)