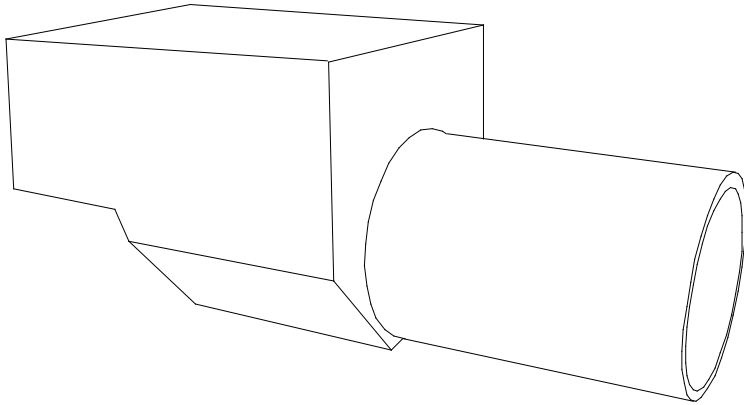


## SA-1 Sump Adapter



### SA-1 Sump Adapter

The Big Dipper® SA-1 Sump Adapter is a module that attaches to the grease sump outlet of Big Dipper Series Units. This module enables the customer to adapt the Big Dipper system (and using the SH-3 Sump Hose - order separately) to use a container other than the Grease Collector provided with the unit.

For example, use the SA-1 Sump Adapter with a Big Dipper Unit mounted on a support frame to empty grease into a 55-gallon (200 L) drum.

#### Features:

- Stainless Steel Construction
- Easy Installation
- One Size Fits All Models

